

## The new standard in HDMI matrix technology

The Just Add Power 2G+AVP Transmitter has all of the features of previous models, with the addition of a



### Sound Processor

Distribute Dolby Digital 5.1 audio to every zone and transform to stereo audio for 2-channel zones.

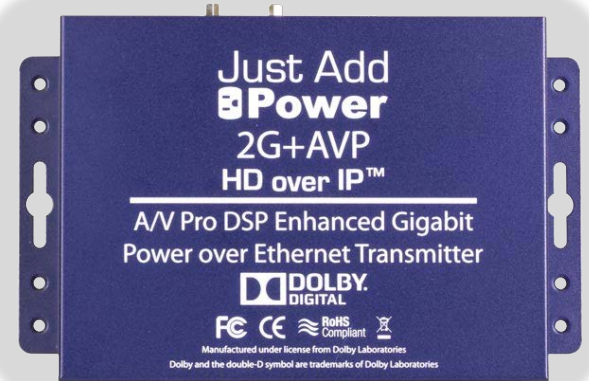
**Have an analog audio input? No problem.** The 2G+AVP Transmitter adds 3.5mm Line-In and Mic-In ports. Watch video with the audio from HDMI, stereo input, microphone input, or combine them all!



**3.5mm MIC-IN**

**3.5mm LINE-IN**

<b>Compliance</b>	HDCP & RoHS/FCC/CE
<b>Operating Temp</b>	0-60 °C / 32-140 °F
<b>Supported Resolutions</b>	Up to 1080p50/60 Hz PC: 1920 x 1200
<b>Dimensions &amp; Weight</b>	199 x 31 x 127 mm 7.8" x 1.2" x 5.0" 0.45 kg / 1.0 lb
<b>Ports</b>	HDMI In HDMI Out Ethernet connector 3.5mm Line-In 3.5mm Mic-In 3.5mm Stereo Out 3.5mm RS232 w/ null modem Micro-USB
<b>Bandwidth</b>	Up to 150 Mbps
<b>Power Supply (not included)</b>	DC5V, 2A minimum 5.5mm/2.1mm, Positive tip
<b>PoE</b>	10 watts maximum

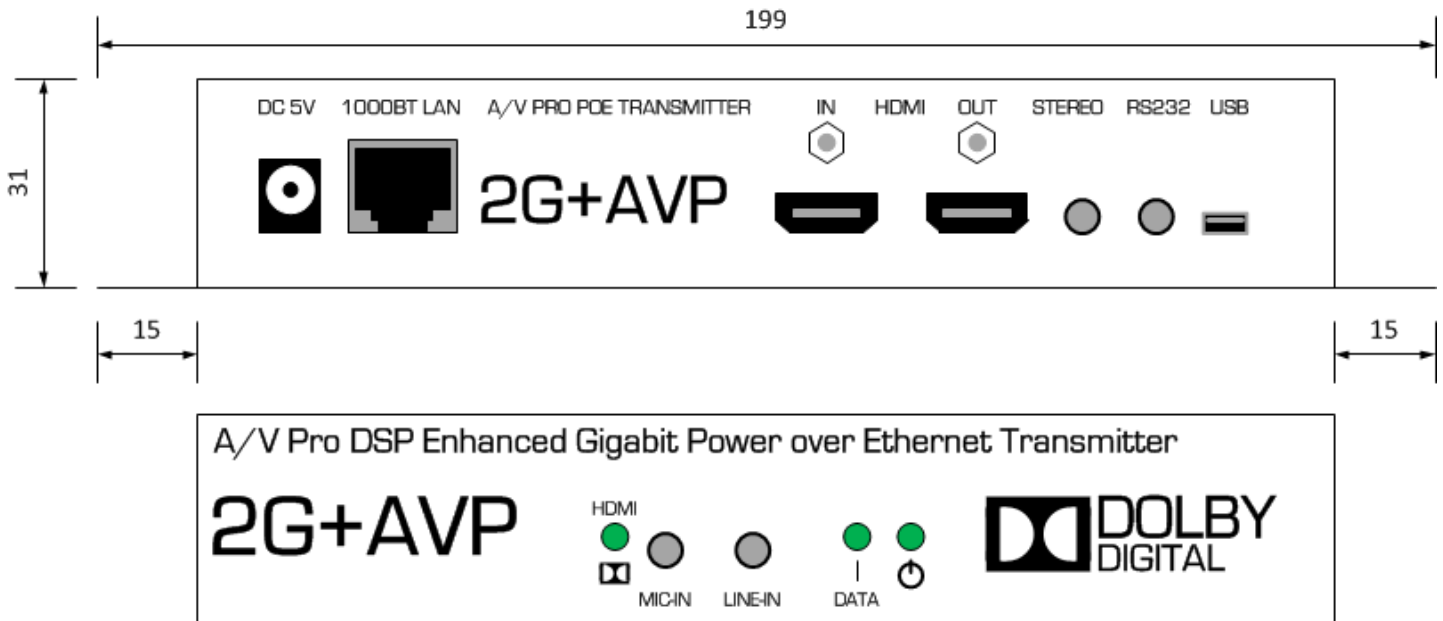


Features
Compatible with all 2G products
5.1 Dolby Digital with transformation to 2-channel audio (Dolby PLII)
Mic-In and Line-In mixable with HDMI audio
Stereo audio output with amplifier + 170ms audio delay
2-way CEC communication
<b>All 2G and 2G+ features</b>
<ul style="list-style-type: none"> <li>• RS232 with null modem</li> <li>• HDMI pass-through</li> <li>• USB over IP</li> <li>• Video Wall</li> <li>• Image Pull</li> </ul>

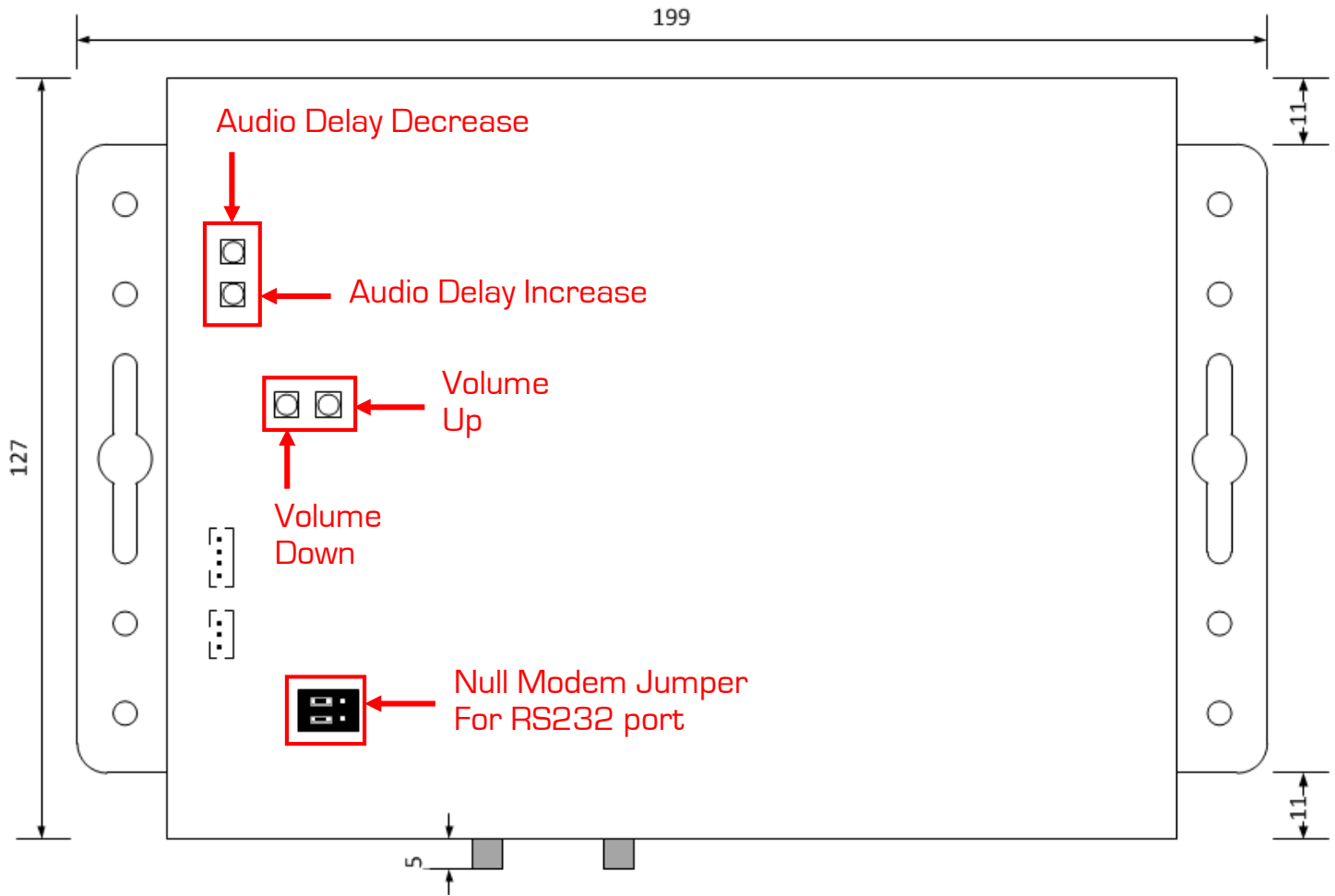


- **USB**
- **RS232**
- **STEREO**
- **HDMI OUT**
- **HDMI IN**
- **ETHERNET**

All measurements in millimeters (mm)



418AVP Front/Back



418AVP Bottom